

VS10G Trochotron

Written by Hans Summers
Wednesday, 27 May 2015 01:59 -

I have three of these, serial numbers 600, 1800 and 3044, all packed in original cartons.

Photos:

{gallery}trochotron/photos{/gallery}

Information:

VS10G datasheet: <http://www.mif.pg.gda.pl/homepages/frank/sheets/022/v/V510G.pdf>

Nice article: http://www.ase-museoedelpro.org/Museo_Edelpro/Catalogo/Overview/The%20Trochotron.pdf

Book chapters: <http://www.die-wuestens.de/rd/TROCH.pdf>

Circuit diagram from VS10G datasheet: [100k/s counter module from PDS-144 test rig for VS10G?](#)

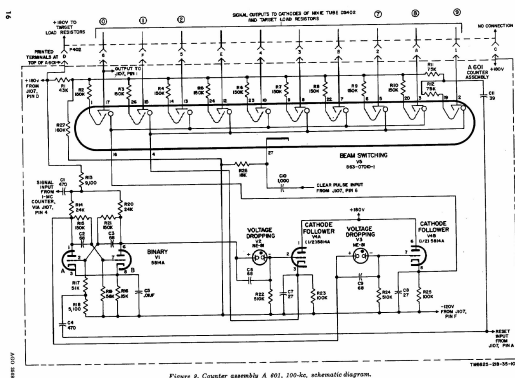
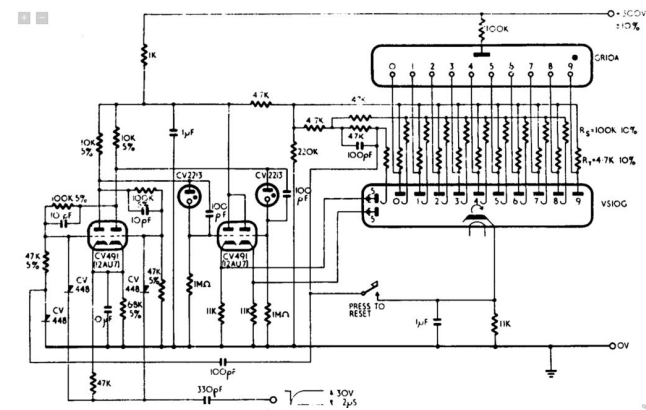


Figure 2. Counter assembly A 601, 100-ks, schematic diagram.

VS10G Trochotron

Written by Hans Summers

Wednesday, 27 May 2015 01:59 -

